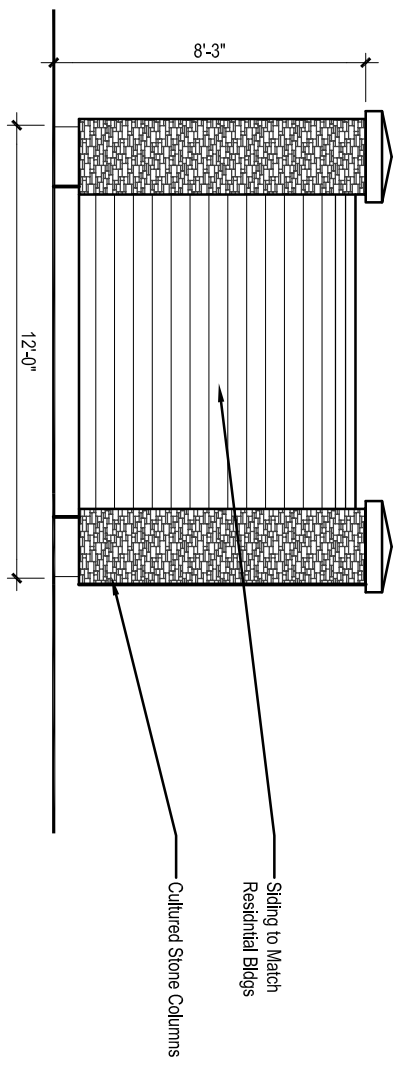


2

1/4" = 1'-0"

TRASH ENCLOSURE SIDE ELEVATION



1

1/4" = 1'-0"

TRASH ENCLOSURE FRONT ELEVATION

