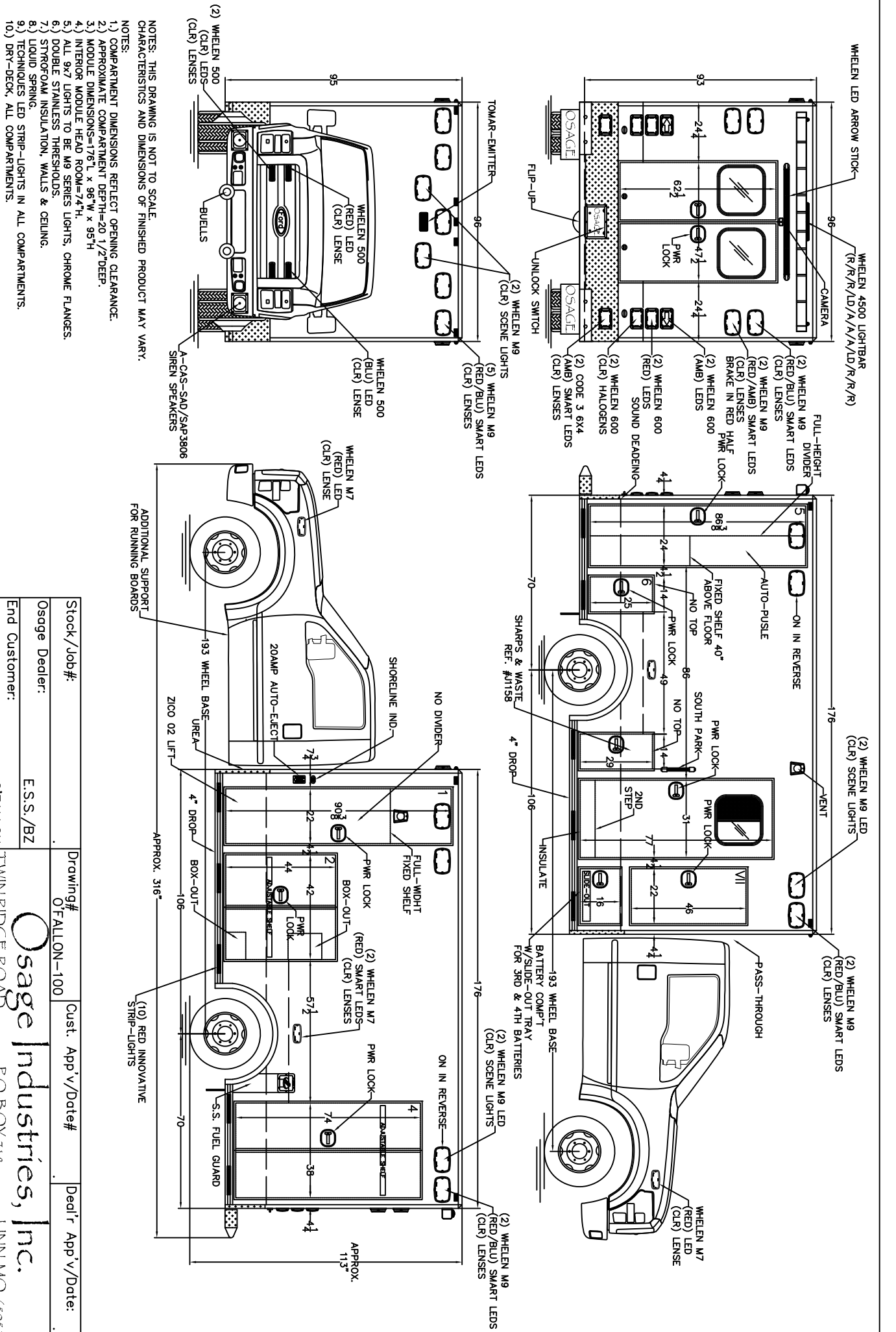


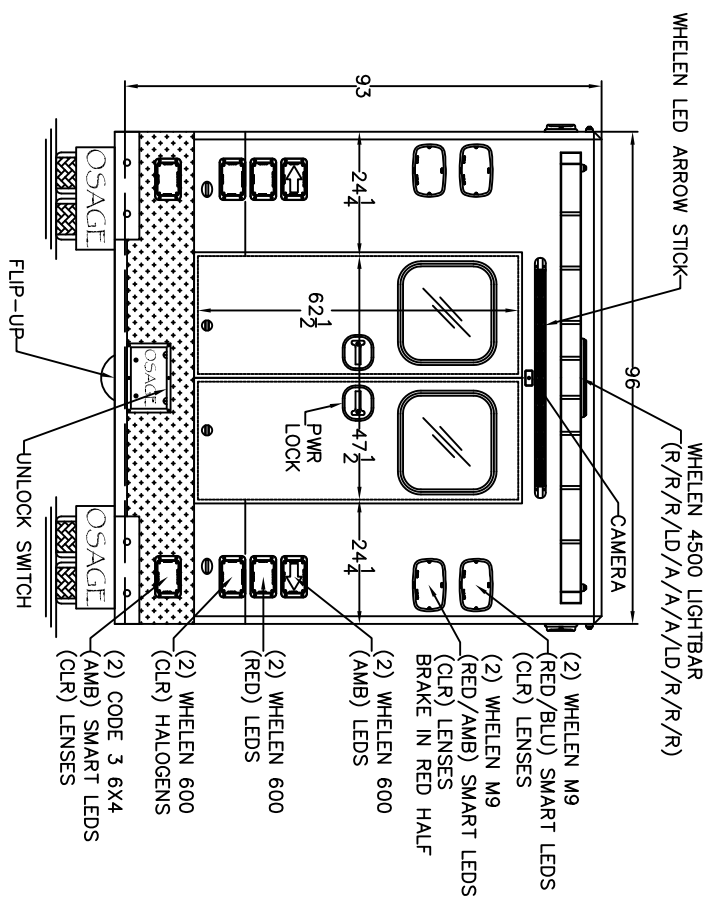
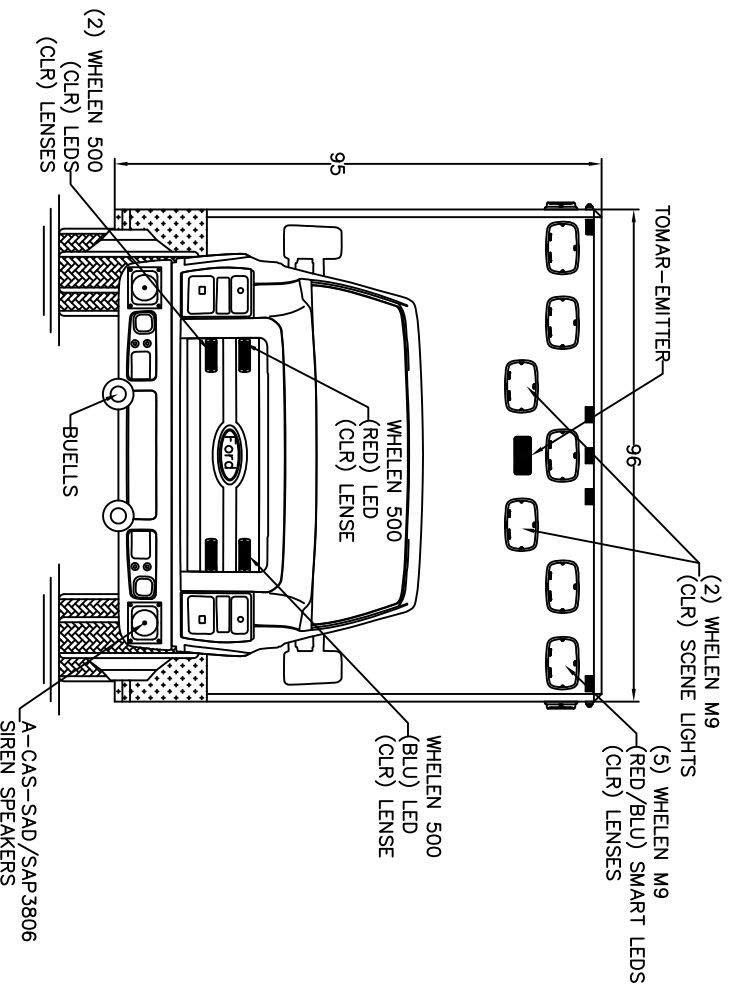
Rev.#	Revision Description	Date	Rev'd App'vd
1	BID DRAFT	09-21-17	SAH
2			
3			

Stock/Job#:	Drawing#:	Cust. App'v/Date#:	Deal'r App'v/Date:
Osage Dealer:	O FALLON-100		
End Customer:	E.S.S./BZ		
<p><b>NOTICE</b></p> <p>This drawing and/or the information hereon is the exclusive property of Osage Industries and shall not be reproduced, used or disclosed without the authorized written consent of Osage Industries.</p>			
Drawn By:	Date:	Scale:	Revision#
S.A.H.	09-21-17	NOT TO SCALE	1

**Osage Industries, Inc.**  
 TWIN RIDGE ROAD  
 P.O. BOX 718  
 LINN, MO. 65051

EXTERIOR LAYOUT  
 TYPE-I SUPER-WARRIOR





NOTES: THIS DRAWING IS NOT TO SCALE.  
CHARACTERISTICS AND DIMENSIONS OF FINISHED PRODUCT MAY VARY.

NOTES:

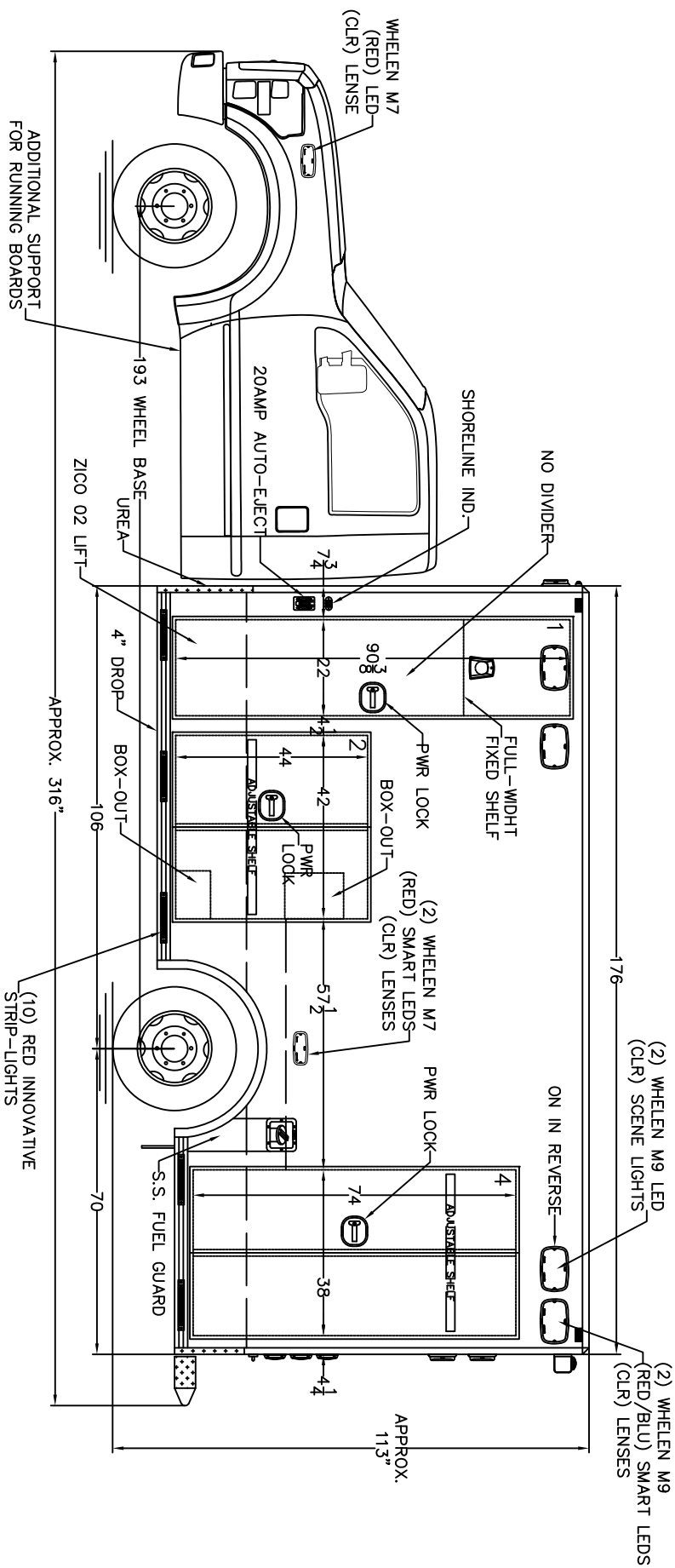
- 1.) COMPARTMENT DIMENSIONS REFLECT OPENING CLEARANCE.
- 2.) APPROXIMATE COMPARTMENT DEPTH=20 1/2" DEEP.
- 3.) MODULE DIMENSIONS=176"L x 96"W x 95"H
- 4.) INTERIOR MODULE HEAD ROOM=74"H.
- 5.) ALL 9x7 LIGHTS TO BE M9 SERIES LIGHTS, CHROME FLANGES.
- 6.) DOUBLE STAINLESS THRESHOLDS.
- 7.) STYROFOAM INSULATION, WALLS & CEILING.
- 8.) LIQUID SPRING.
- 9.) TECHNIQUES LED STRIP-LIGHTS IN ALL COMPARTMENTS.
- 10.) DRY-DECK, ALL COMPARTMENTS.

3			
2			
1	BID DRAFT	09-21-17	SAH
Rev.#	Revision Description	Date	Rev'd App'vd

Stock/Job#:	Drawing#	Cust. App'v/Date#	Deal'r App'v/Date:
Osage Dealer:	O FALLON-100A		
End Customer:	E.S.S./BZ		
	TWIN RIDGE ROAD		
	O FALLON		
	Drawn By:	Date:	Scale:
	S.A.H.	09-21-17	NOT TO SCALE
	Osage Industries, Inc.		Revision#
	P.O. BOX 718		1
	LINN, MO. 65051		
Drawing Description:			
EXTERIOR LAYOUT, FRONT/REAR			
TYPE-I SUPER-WARRIOR			

NOTICE

This drawing and/or the information hereon is the exclusive property of Osage Industries and shall not be reproduced, used or disclosed without the authorized written consent of Osage Industries.

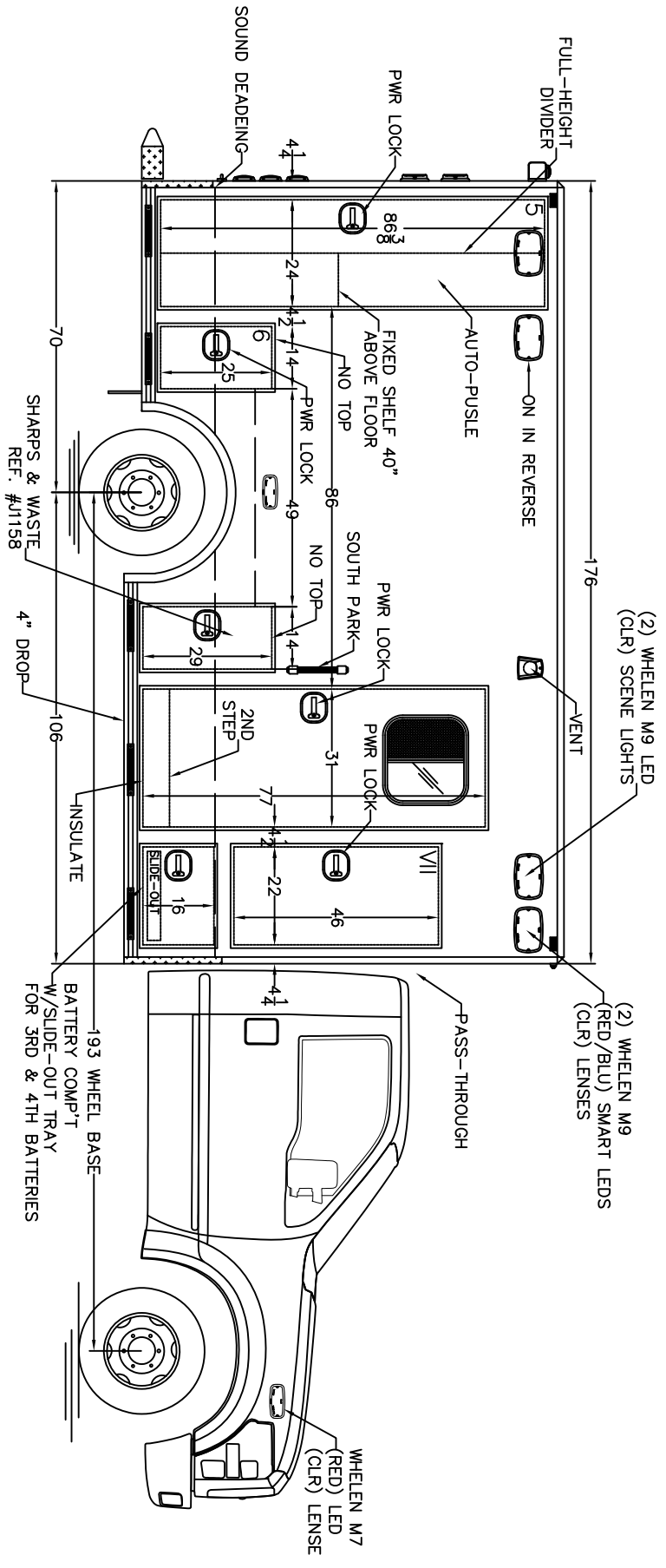


- NOTES: THIS DRAWING IS NOT TO SCALE.  
 CHARACTERISTICS AND DIMENSIONS OF FINISHED PRODUCT MAY VARY.
- NOTES:
- 1.) COMPARTMENT DIMENSIONS REFLECT OPENING CLEARANCE.
  - 2.) APPROXIMATE COMPARTMENT DEPTH=20 1/2" DEEP.
  - 3.) MODULE DIMENSIONS=176"L x 96"W x 95"H
  - 4.) INTERIOR MODULE HEAD ROOM=74"H.
  - 5.) ALL 9x7 LIGHTS TO BE M9 SERIES LIGHTS, CHROME FLANGES.
  - 6.) DOUBLE STAINLESS THRESHOLDS.
  - 7.) STYROFOAM INSULATION, WALLS & CEILING.
  - 8.) LIQUID SPRING.
  - 9.) TECHNIQUES LED STRIP-LIGHTS IN ALL COMPARTMENTS.
  - 10.) DRY-DECK, ALL COMPARTMENTS.

3									
2									
1	BID DRAFT	09-21-17	SAH						
Rev.#	Revision Description	Date	Rev'd	App'vd					

Stock/Job#:	Drawing#	Cust. App'v/Date#	Deal'r App'v/Date:
Osage Dealer:	OFALLON-100B		
End Customer:	E.S.S./BZ		
	OFALLON		
	TWIN RIDGE ROAD		
	P.O. BOX 718		
	LINN, MO. 65051		
<b>NOTICE</b>			
This drawing and/or the information hereon is the exclusive property of Osage Industries and shall not be reproduced, used or disclosed without the authorized written consent of Osage Industries.			
Drawing Description:	EXTERIOR LAYOUT, STREETSIDE TYPE-I SUPER-WARRIOR		
Drawn By:	S.A.H.	Date:	09-21-17
Scale:	NOT TO SCALE		
Revision#	1		



NOTES: THIS DRAWING IS NOT TO SCALE.  
 CHARACTERISTICS AND DIMENSIONS OF FINISHED PRODUCT MAY VARY.

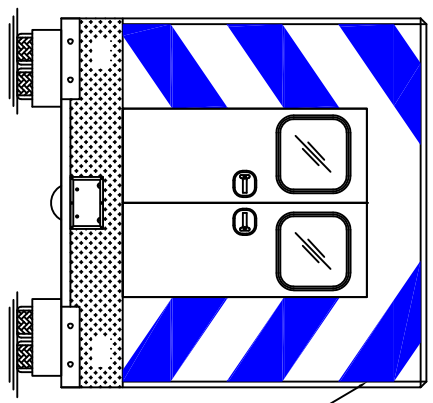
NOTES:

- 1.) COMPARTMENT DIMENSIONS REFLECT OPENING CLEARANCE.
- 2.) APPROXIMATE COMPARTMENT DEPTH=20 1/2"DEEP.
- 3.) MODULE DIMENSIONS=176"L x 96"W x 95"H
- 4.) INTERIOR MODULE HEAD ROOM=74"H.
- 5.) ALL 9x7 LIGHTS TO BE M9 SERIES LIGHTS, CHROME FLANGES.
- 6.) DOUBLE STAINLESS THRESHOLDS.
- 7.) STYROFOAM INSULATION, WALLS & CEILING.
- 8.) LIQUID SPRING.
- 9.) TECHNIQUES LED STRIP-LIGHTS IN ALL COMPARTMENTS.
- 10.) DRY-DECK, ALL COMPARTMENTS.

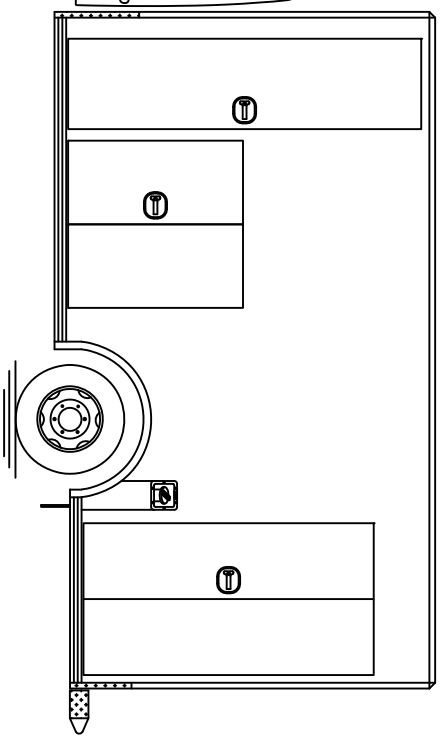
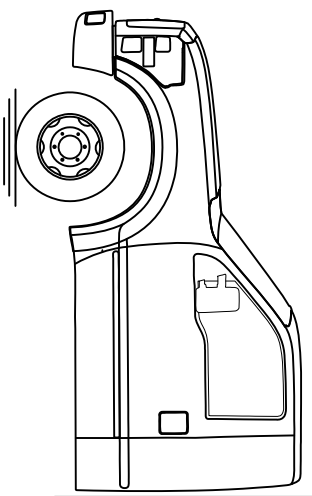
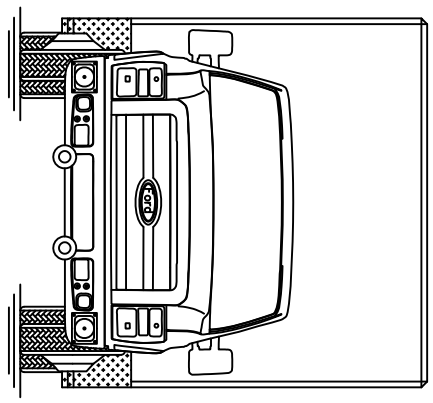
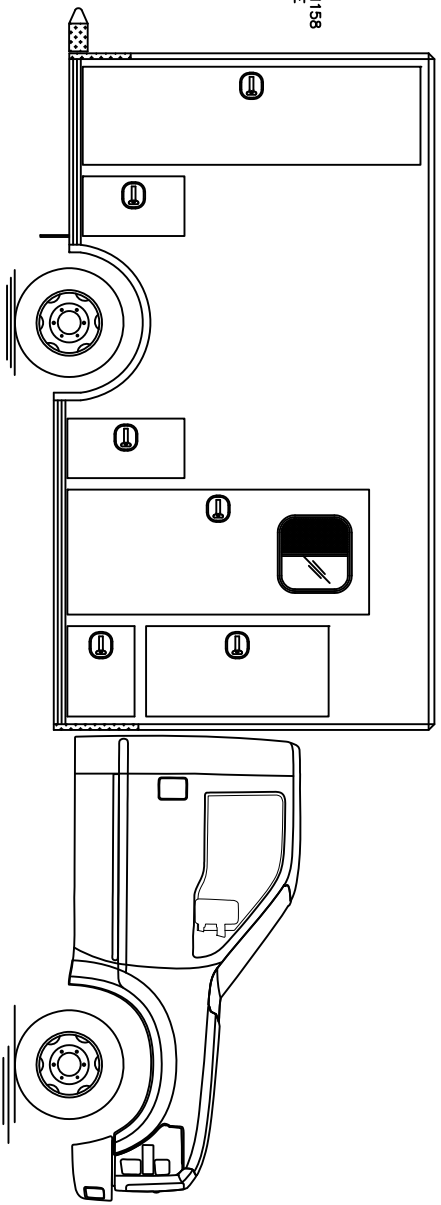
3			
2			
1	BID DRAFT	09-21-17	SAH
Rev.#	Revision Description	Date	Rev'd App'vd

Stock/Job#:	Drawing#	Cust. App'v/Date#	Deal'r App'v/Date:
Osage Dealer:	O FALLON-100C		
End Customer:	E.S.S./BZ		
	O FALLON		
<b>NOTICE</b>			
This drawing and/or the information hereon is the exclusive property of Osage Industries and shall not be reproduced, used or disclosed without the authorized written consent of Osage Industries.			
Drawn By:	S.A.H.	Date:	09-21-17
Drawing Description:	Scale: NOT TO SCALE		
EXTERIOR LAYOUT, CURBSIDE TYPE-1 SUPER-WARRIOR	Revision#		
	1		

Osage Industries, Inc.  
 TWIN RIDGE ROAD  
 P.O. BOX 718  
 LINN, MO. 65051

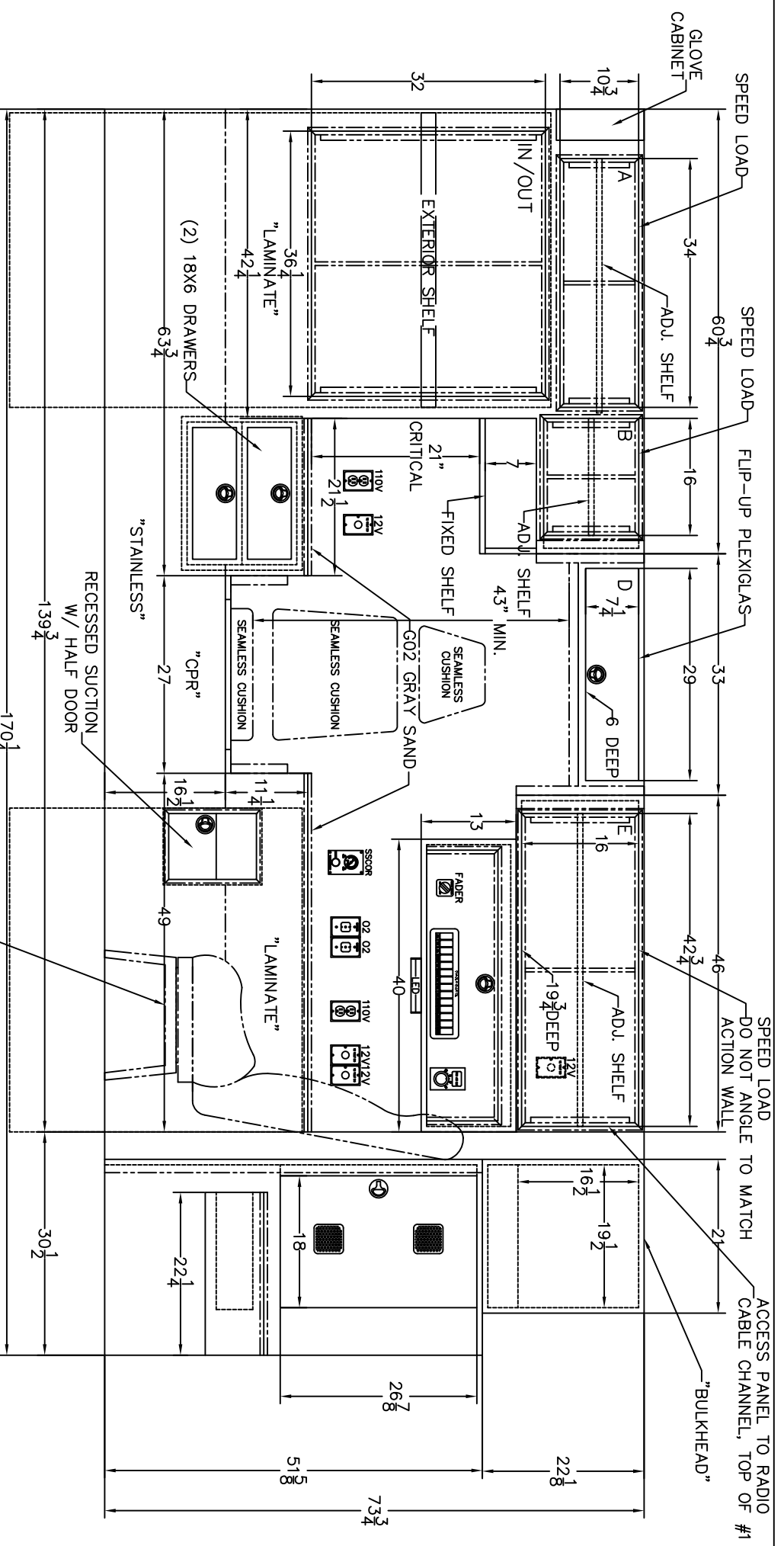


DIAMOND GRADE  
CHEVRONS REF. #A1158  
WIDE BLUE & WHITE



3			
2			
1	BID DRAFT	09-21-17	SAH
Rev.#	Revision Description	Date	Rev'd App'vd

Stock/Job#:	Drawing#	Cust. App'v/Date#	Deal'r App'v/Date:
Osage Dealer:	OFALLON-100P		
End Customer:	E.S.S./BZ		
	OFALLON		
	TWIN RIDGE ROAD		
	P.O. BOX 718		
	LINN, MO. 65051		
<b>NOTICE</b>			
This drawing and/or the information hereon is the exclusive property of Osage Industries and shall not be reproduced, used or disclosed without the authorized written consent of Osage Industries.			
Drawn By:	S.A.H.	Date:	09-21-17
Drawing Description:	EXTERIOR LAYOUT, PAINT TYPE-1 SUPER-WARRIOR		
Scale:	NOT TO SCALE		
Revision#	1		



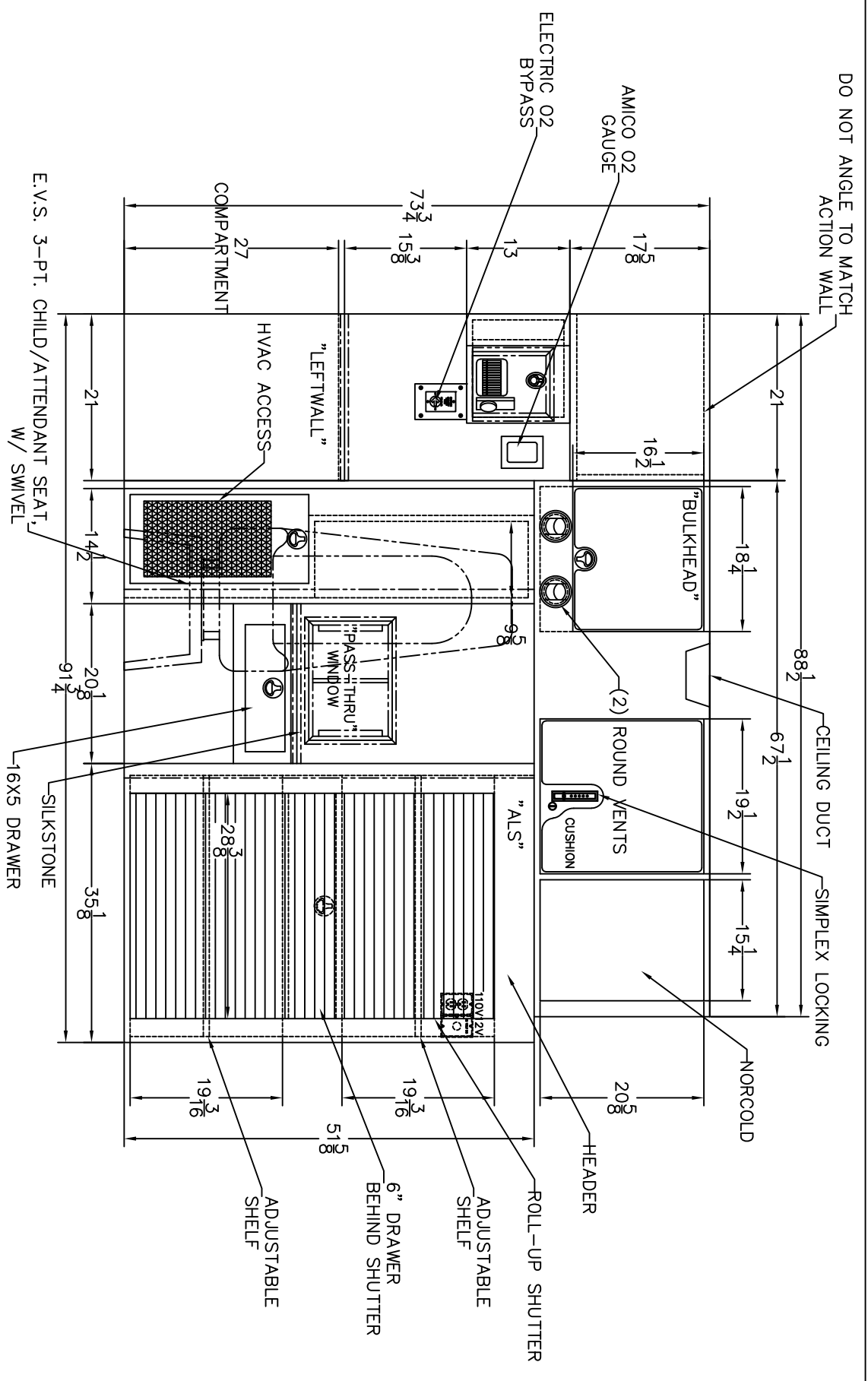
- NOTES:
- 1.) DOVE GRAY.
  - 2.) 176" BODY, 74" HEADROOM.
  - 3.) TINTED PLEXIGLAS.
  - 4.) S.S. SOUTHCOS.

NOTES: THIS DRAWING IS NOT TO SCALE.  
 CHARACTERISTICS AND DIMENSIONS OF FINISHED PRODUCT MAY VARY.

NOTES: CABINET DEPTHS REPRESENT DIMENSION FROM INSIDE REAR TO FRONT FACE OF CABINETS, WITHOUT TRIM. ACTUAL WORKING DEPTH WILL BE LESS THAN DIMENSION SHOWN UNLESS OTHERWISE SPECIFIED.

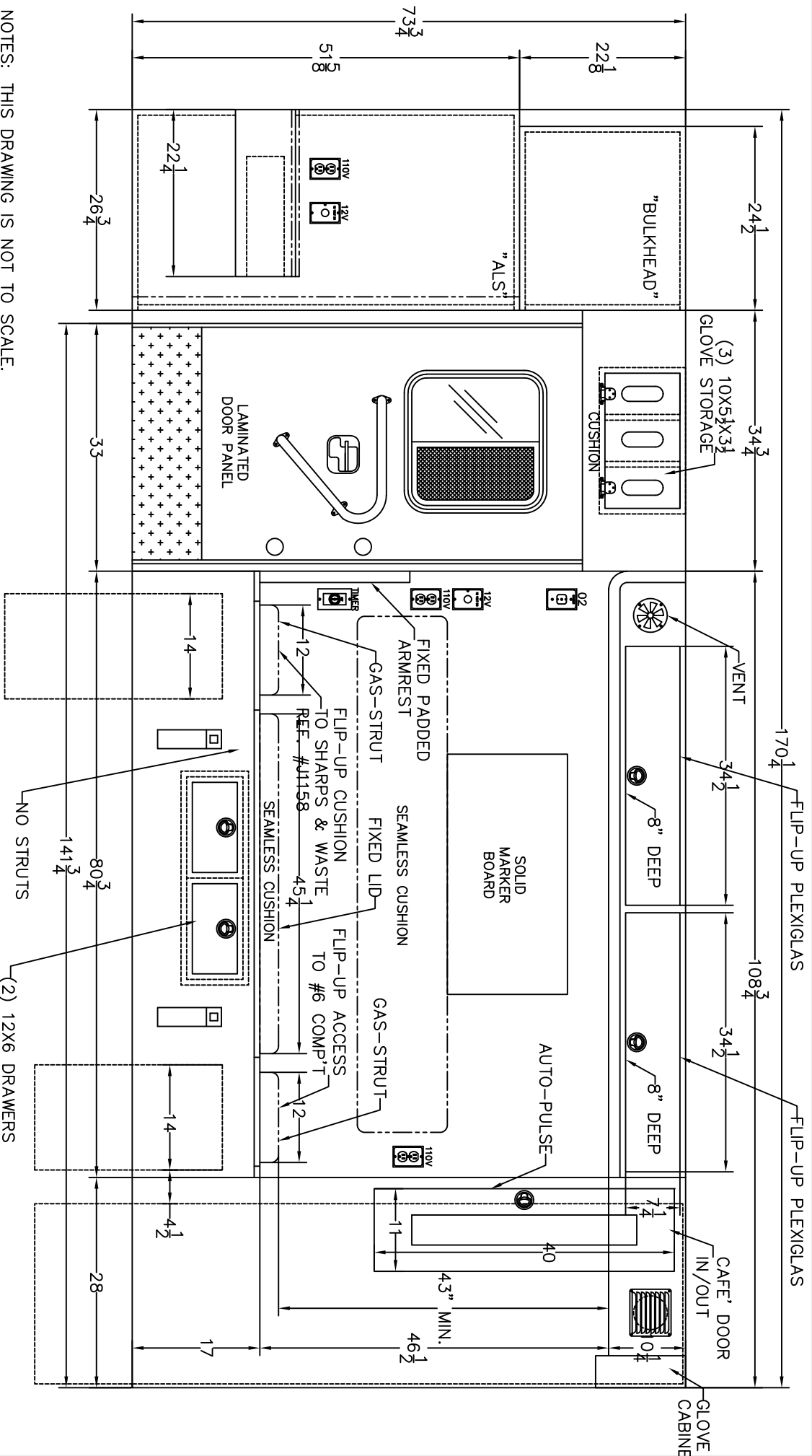
3			
2			
1	BID DRAFT	09-21-17	SAH
Rev.#	Revision Description	Date	Rev'd App'vd

Stock/Job#:	Drawing#:	Cust. App'v/Date#:	Deal'r App'v/Date:
Osage Dealer:	O'FALLON-101		
End Customer:	E.S.S./BZ		
	O'FALLON		
<b>NOTICE</b>			
This drawing and/or the information hereon is the exclusive property of Osage Industries and shall not be reproduced, used or disclosed without the authorized written consent of Osage Industries.			
Drawn By:	S.A.H.	Date:	09-21-17
Drawing Description:	STREETSIDE INTERIOR TYPE-I SUPER-WARRIOR		
Osage Industries, Inc.		LINN, MO. 65051	
TWINRIDGE ROAD		P.O. BOX 718	
Scale:		NOT TO SCALE	
Revision#:		1	



NOTES: THIS DRAWING IS NOT TO SCALE.  
 CHARACTERISTICS AND DIMENSIONS OF FINISHED PRODUCT MAY VARY.  
 NOTES: CABINET DEPTHS REPRESENT DIMENSION FROM INSIDE REAR TO FRONT FACE OF CABINETS, WITHOUT TRIM. ACTUAL WORKING DEPTH WILL BE LESS THAN DIMENSION SHOWN UNLESS OTHERWISE SPECIFIED.

3									
2									
1	BID DRAFT	09-21-17	SAH						
Rev.#	Revision Description	Date	Rev'd	App'vd					
Stock/Job#: Osage Dealer: End Customer:					Drawing# ofFALLON-102 Cust. App'v/Date# Dealer App'v/Date:				
NOTICE This drawing and/or the information hereon is the exclusive property of Osage Industries and shall not be reproduced, used or disclosed without the authorized written consent of Osage Industries.					Drawn By: S.A.H. Date: 09-21-17 Scale: NOT TO SCALE				
FORWARD INTERIOR TYPE-I SUPER-WARRIOR					Revision# 1				

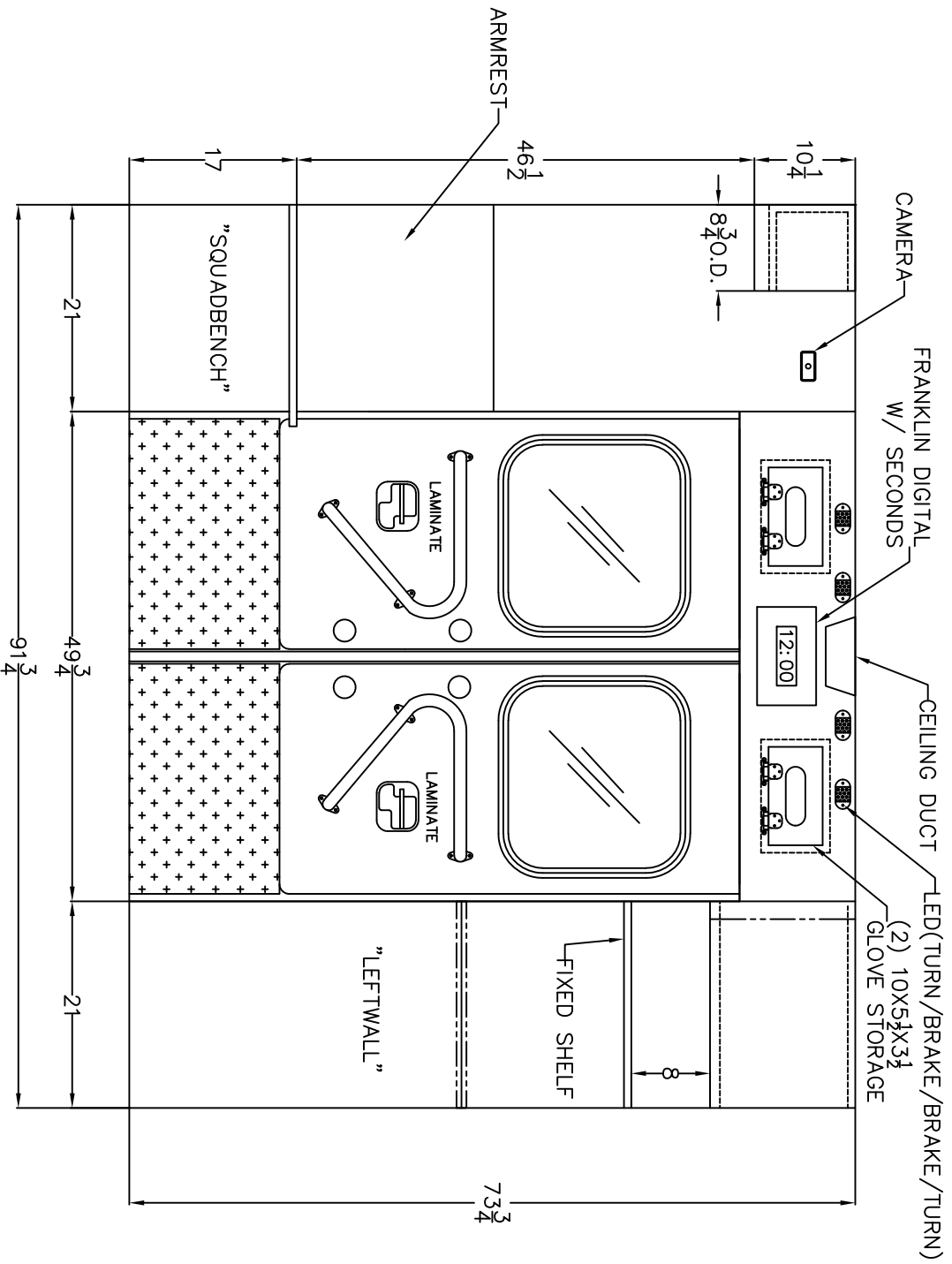


NOTES: THIS DRAWING IS NOT TO SCALE.  
 CHARACTERISTICS AND DIMENSIONS OF FINISHED PRODUCT MAY VARY.

NOTES: CABINET DEPTHS REPRESENT DIMENSION FROM INSIDE REAR TO FRONT FACE OF CABINETS, WITHOUT TRIM. ACTUAL WORKING DEPTH WILL BE LESS THAN DIMENSION SHOWN UNLESS OTHERWISE SPECIFIED.

Stock/Job#:	Drawing#:	Cust. App'v/Date#:	Deal'r App'v/Date:
Osgae Dealer:	O'FALLON-103		
End Customer:	E.S.S./BZ		
<b>NOTICE</b>			
This drawing and/or the information hereon is the exclusive property of Osgae Industries and shall not be reproduced, used or disclosed without the authorized written consent of Osgae Industries.			
Drown By: S.A.H.		Date: 09-21-17	
Drawing Description: CURBSIDE INTERIOR		Scale: NOT TO SCALE	
TWINRIDGE ROAD		LINN, MO. 65051	
P.O. BOX 718			
Rev.#	Revision Description	Date	Rev'd App'vd
1	BID DRAFT	09-21-17	SAH
2			
3			



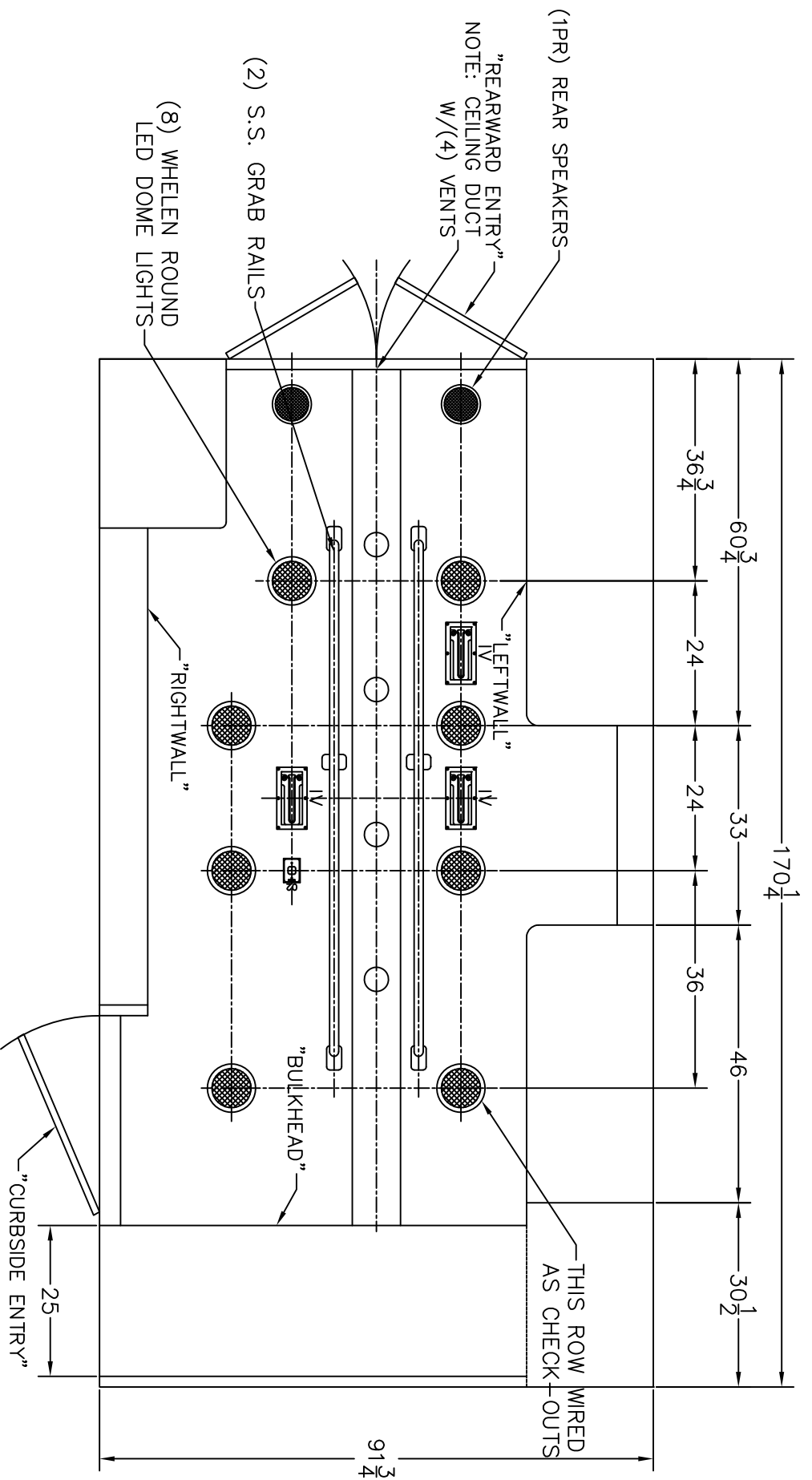


NOTES: THIS DRAWING IS NOT TO SCALE.  
 CHARACTERISTICS AND DIMENSIONS OF FINISHED PRODUCT MAY VARY.  
 NOTES: CABINET DEPTHS REPRESENT DIMENSION FROM INSIDE REAR TO FRONT FACE OF CABINETS, WITHOUT TRIM. ACTUAL WORKING DEPTH WILL BE LESS THAN DIMENSION SHOWN UNLESS OTHERWISE SPECIFIED.

3			
2			
1	BID DRAFT	09-21-17	SAH
Rev.#	Revision Description	Date	Rev'd App'vd

Stock/Job#:	Drawing#:	Cust. App'v/Date#	Deal'r App'v/Date:
Osage Dealer:	O'FALLON-104		
End Customer:	E.S.S./BZ		
	O'FALLON		
<b>NOTICE</b>			
This drawing and/or the information hereon is the exclusive property of Osage Industries and shall not be reproduced, used or disclosed without the authorized written consent of Osage Industries.			
Drawn By:	S.A.H.	Date:	09-21-17
Drawing Description:	REARWARD INTERIOR TYPE-1 SUPER-WARRIOR		
Scale:	NOT TO SCALE		
Revision#	1		

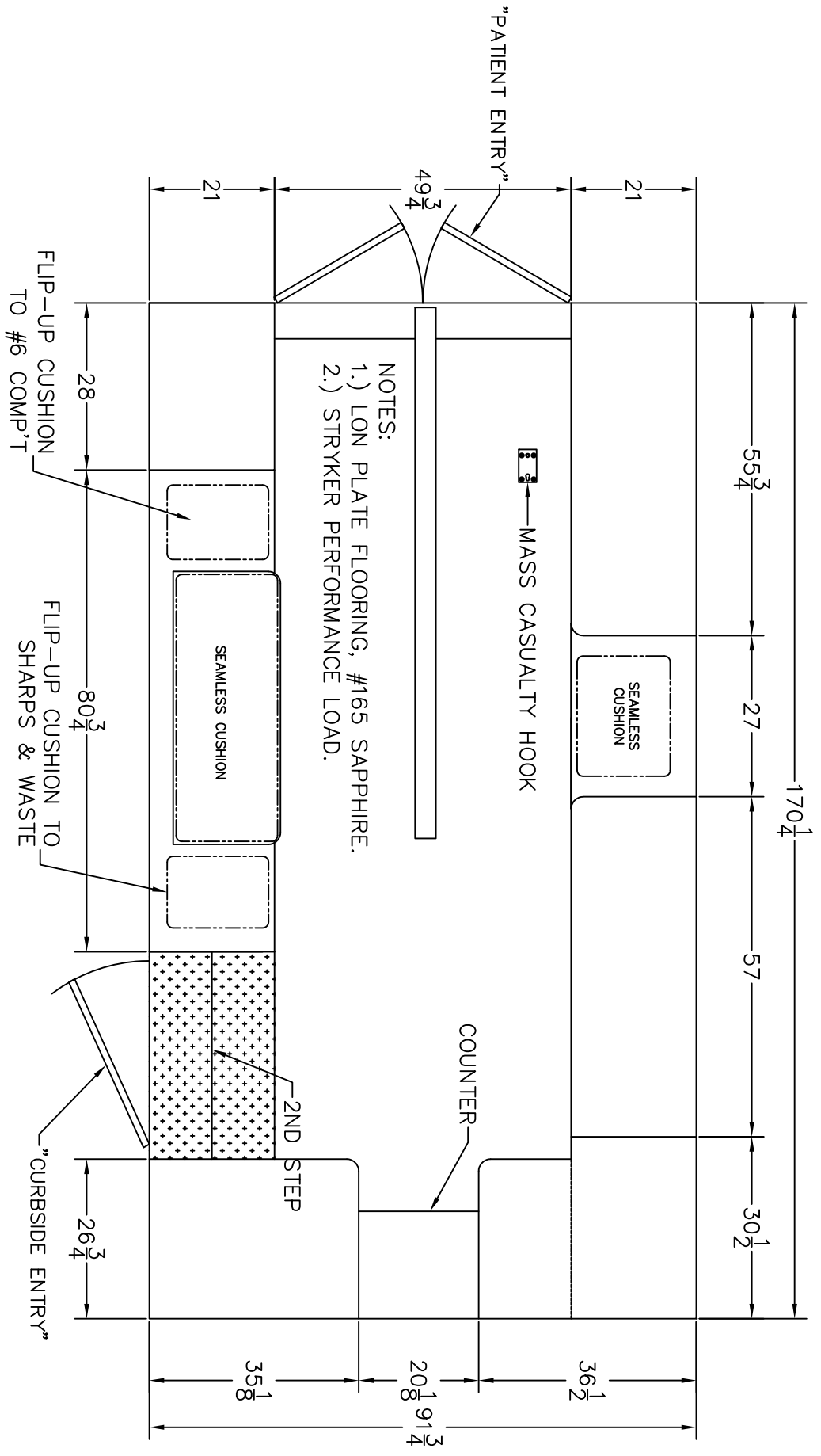
**Osage Industries, Inc.**  
 TWIN RIDGE ROAD  
 P.O. BOX 718  
 LINN, MO. 65051



NOTES: THIS DRAWING IS NOT TO SCALE.  
 CHARACTERISTICS AND DIMENSIONS OF FINISHED  
 PRODUCT MAY VARY.

3			
2			
1	BID DRAFT	09-21-17	SAH
Rev.#	Revision Description	Date	Rev'd App'vd

Stock/Job#:	Drawing#:	Cust. App'v/Date#:	Deal'r App'v/Date:
Osage Dealer:	OFALLON-105		
End Customer:	E.S.S./BZ		
	OFALLON		
<b>NOTICE</b>			
This drawing and/or the information hereon is the exclusive property of Osage Industries and shall not be reproduced, used or disclosed without the authorized written consent of Osage Industries.			
Drawn By:	S.A.H.	Date:	09-21-17
Drawing Description:	CEILING LAYOUT		
	TYPE-1 SUPER-WARRIOR		
Scale:	NOT TO SCALE		
Revision#:	1		



NOTES:  
 1.) LON PLATE FLOORING, #165 SAPPHIRE.  
 2.) STRYKER PERFORMANCE LOAD.

NOTES: THIS DRAWING IS NOT TO SCALE.  
 CHARACTERISTICS AND DIMENSIONS OF FINISHED  
 PRODUCT MAY VARY.

3									
2									
1	BID DRAFT	09-21-17	SAH						
Rev.#	Revision Description	Date	Rev'd	App'vd	Stock/Job#	Drawing#	Cust. App'v/Date#	Decl'r App'v/Date:	
					Osage Dealer: E.S.S./BZ	Osage Industries, Inc.			
					End Customer: OFALLON	TWINRIDGE ROAD			
						P.O. BOX 718			
						LINN, MO. 63051			
					<b>NOTICE</b>				
					This drawing and/or the information hereon is the exclusive property of Osage Industries and shall not be reproduced, used or disclosed without the authorized written consent of Osage Industries.				
					Drawing Description:	FLOOR LAYOUT			
					Scale:	NOT TO SCALE			
					Revision#	1			